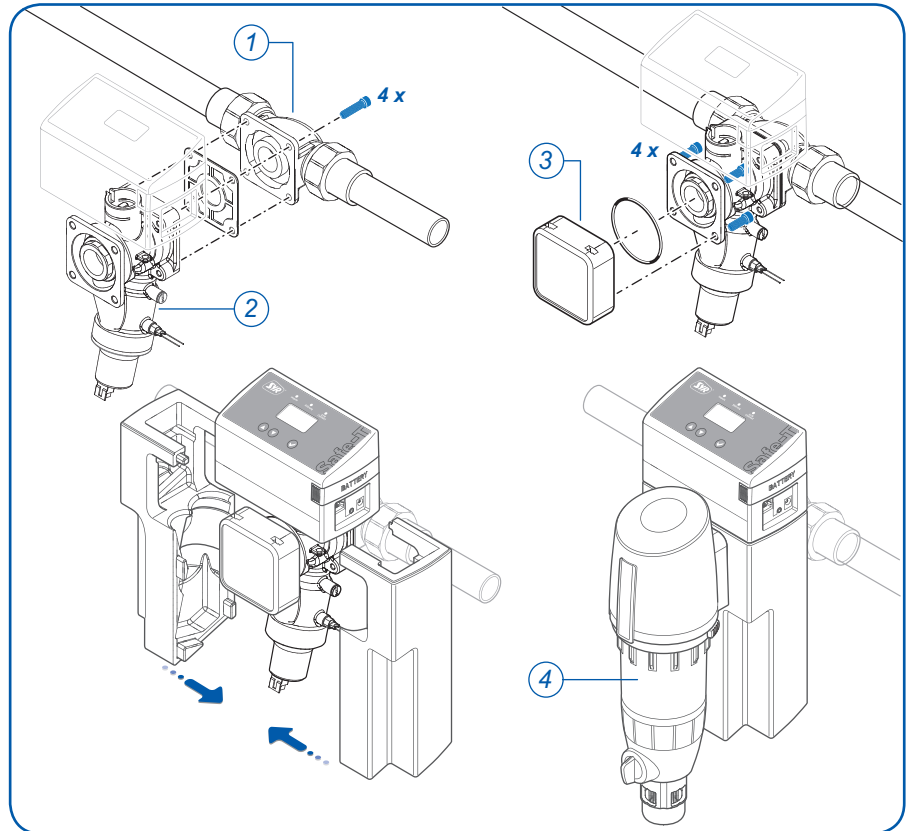


Installing the Safe-T Connect

- ▶ If not already fitted, install the SYR universal flange (1, Accessories) in the supply pipe.
- ▶ Mount the Safe-T Connect (2) on the universal flange.
- ▶ Close off the filter connection on the front side of the Safe-T Connect with a blanking cap (3, art. No. 2320.00.901) or connect a SYR DRUFI + (4, Accessories) at this point.

Note:

Observe the relevant operating and user manual when fitting and commissioning!



Registration

- ▶ Download the free SYR app from the App Store and install it. Alternatively, you can scan the QR code opposite.
- ▶ Once installed, start the SYR app and press the “Connect” button.
- ▶ Press the “Register” button, enter the enclosed code number and press “Check code”.
- ▶ Enter your user data and press “Register”.
- ▶ Close the SYR app and restart it.
- ▶ Press “Connect” and enter your user name and password. Your project will appear.
- ▶ Configure your leakage protection parameters.

As an alternative to registering with the SYR app, you can use your standard web browser.

To access the registration form, go to <http://syrconnect.de>. Follow the instructions in the browser window.

